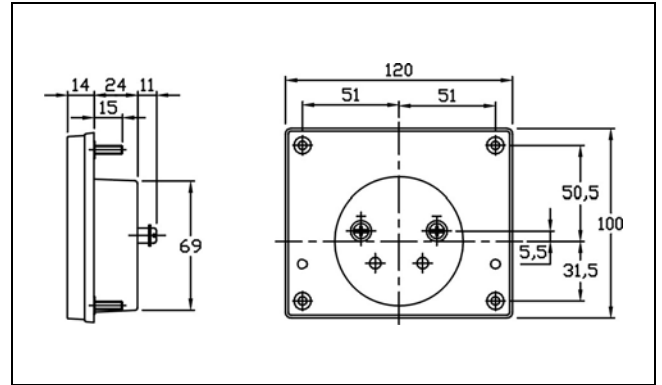
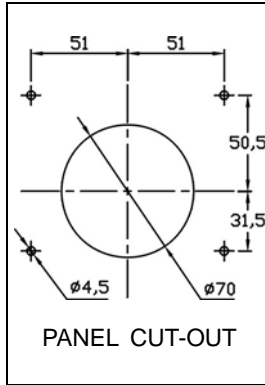
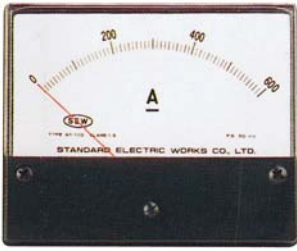




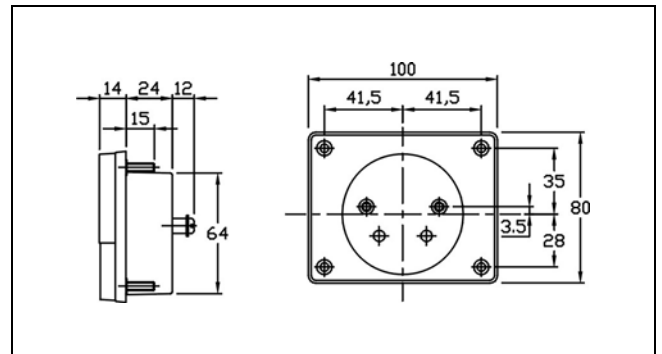
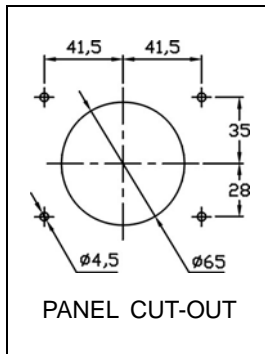
STANDARD

S SERIES

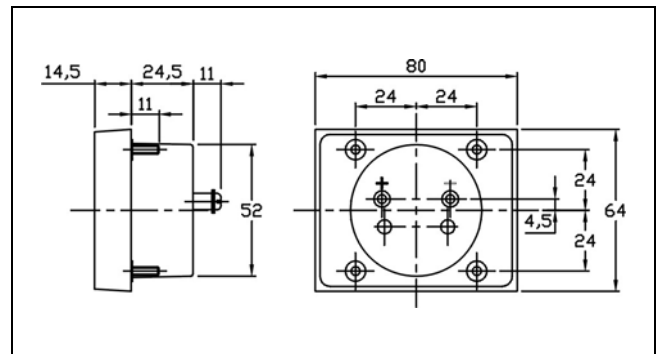
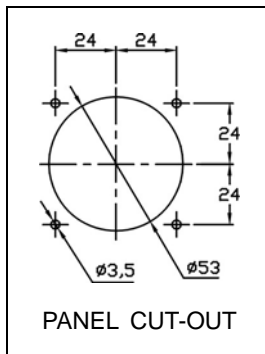
ST-110



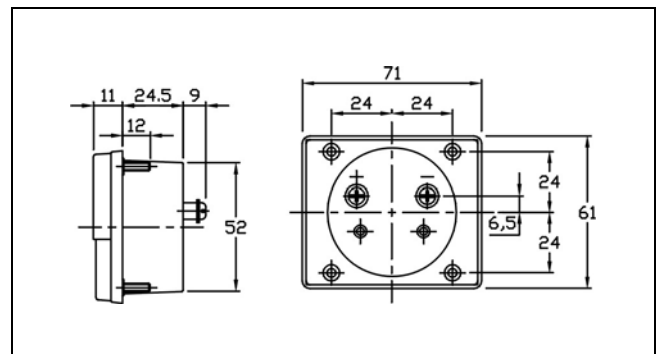
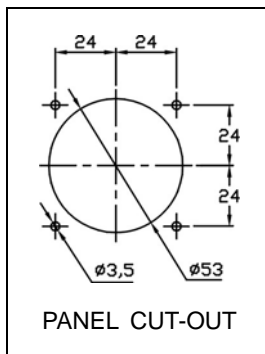
ST-100



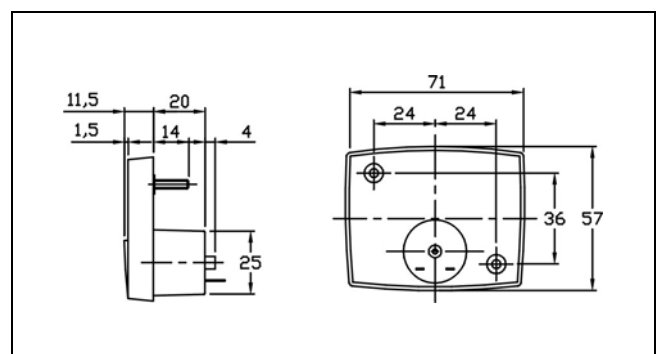
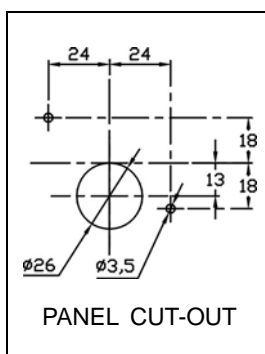
ST-680



ST-670



ST-670R

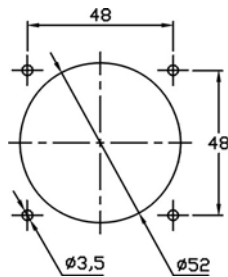




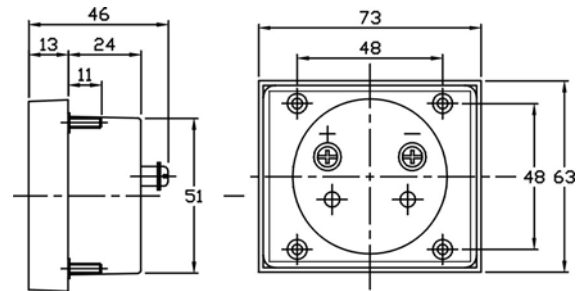
STANDARD

S SERIES

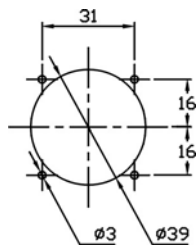
ST-670B



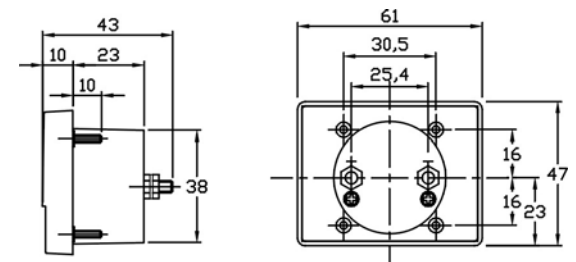
PANEL CUT-OUT



ST-645



PANEL CUT-OUT



Measuring Ranges :

Moving Coil Type

DC uA	DC mA	DC A	DC mV	DC V
50	1	150	1	50
100	5	200	5	60
150	10	250	10	100
200	15	300	20	500
250	20	500	30	30
300	30	800	50	500
500	100			600
800				

Moving Iron Type

AC mA	AC A	AC V
50	1	150
100	5	250
150	10	300
200	15	500
250	20	
300	30	
500	50	
800		

Rectifier Type

AC V
30
50
100
150
200
300
500

DC up to 50A : ST-110, ST-100, ST-670, ST-670B

DC up to 30A : ST-680

DC up to 10A : ST-670R, ST-645

AC up to 50A : ST-110, ST-100

AC up to 30A : ST-670, ST-670B

Hz Meter

Measuring Ranges : 45~55Hz, 55~65Hz, 45~65Hz

Rated Voltage : 110V, 220V

Accuracy : Class 2.0

Suitable Model : ST-110, ST-100, ST-680, ST-670, ST-670B

Case And Composition :

Acrylic resin front and Bakelite case(Glass window, ABS resin frame, Bakelite case : Only ST-680)

Four stud mounting(Two stud for ST-670R)

Accuracy :

Moving coil type : class 2.0

Moving Iron type : Class 2.5

Rectifier type : Class 2.0

Color :

Black case

white scale plate.(yellow scale plate only ST-645)

Pointer :

Tube or knife-type, color in black or red.