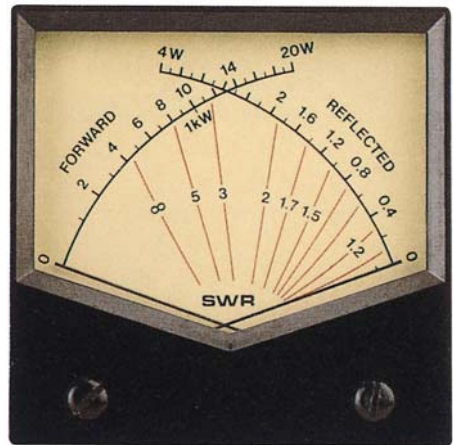
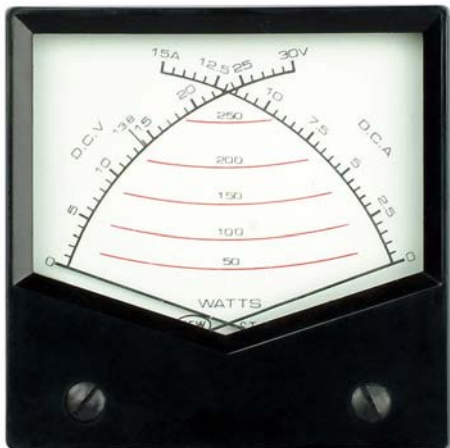




STANDARD

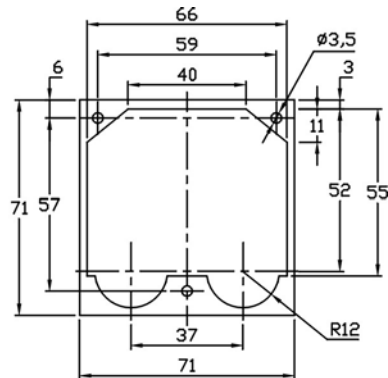
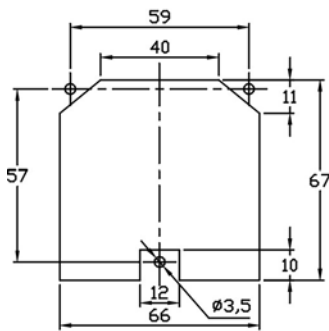
雙針指示表



ST-70W

Dual Pointer Intercrossing Type DC. A-V-Watt Panel Meter.
(Watt Value Read At The Joint Point Of The Two Pointers)

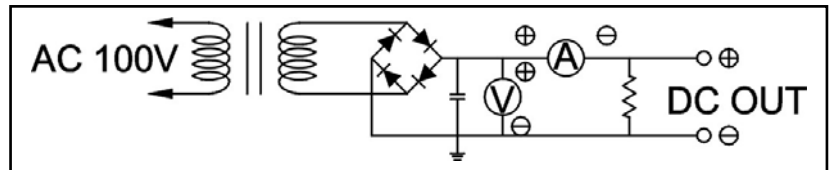
表背開孔尺寸



規格：

電壓(V)	電流	瓦特數
30	5	80
30	15	250
30	30	500

連接線路

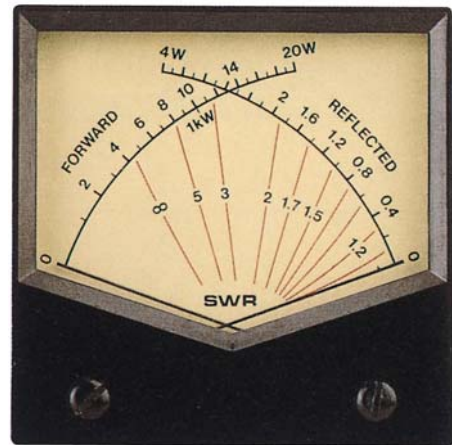


- 感度： 100uA DC
- 內阻： 1100 OHM
- 準確度： 2.5 級
- 材質： 壓克力蓋，ABS 底
- 顏色： 黑色底，刻度板白底黑字，或黃底黑字
- 外形尺寸： 70(長) x 70(寬) x 30(高)公厘
- 指針： 管狀或刀形，橙紅色或黑色



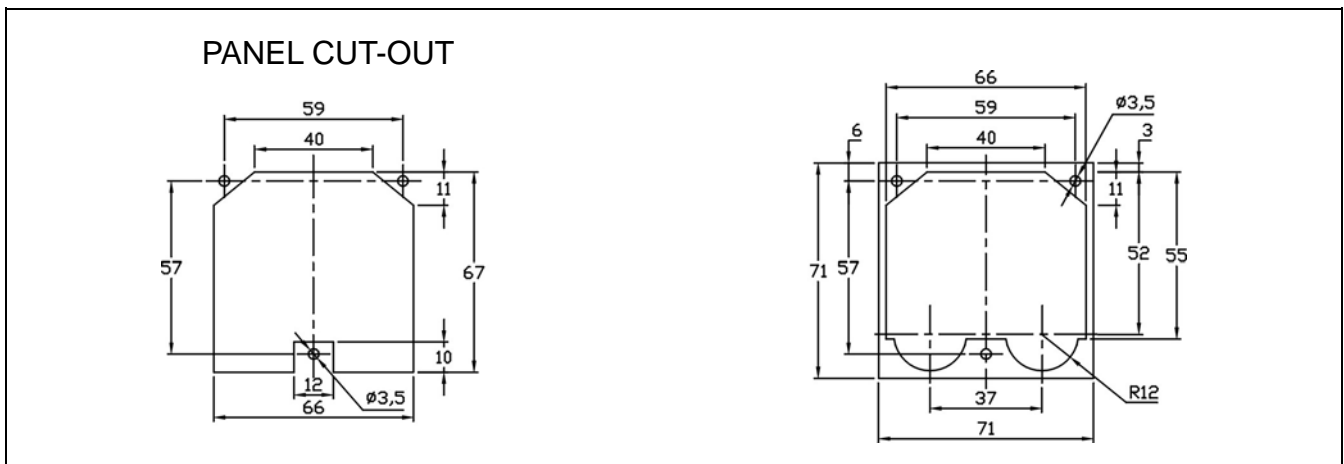
STANDARD

CROSSING TYPE



ST-70W

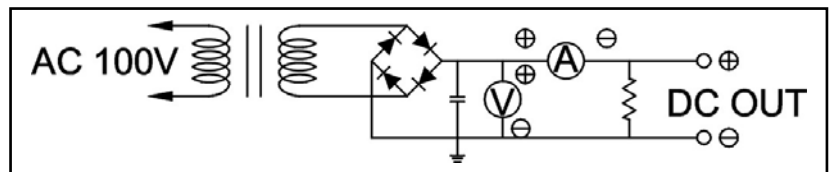
Dual Pointer Intercrossing Type DC. A-V-Watt Panel Meter.
(Watt Value Read At The Joint Point Of The Two Pointers)



Measuring Ranges :

Volt	Ampere	Watt Value
30	5	80
30	15	250
30	30	500

Connecting Diagram



- **Sensitivity Full Scale :** 100uA DC
- **Internal Resistance :** 1100 OHM
- **Accuracy :** Class 2.5
- **Case And Composition :** Acrylic resin front and ABS resin case.
- **Color :** Black case, white scale plate or yellow.
- **Dimension :** 70(L) x 70(W) x 30(D)mm
- **Pointer Shape :** Knife or Tube-type, color in black or red.